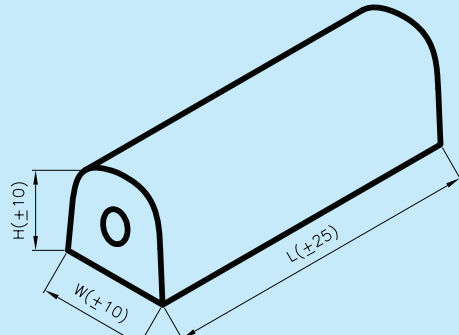


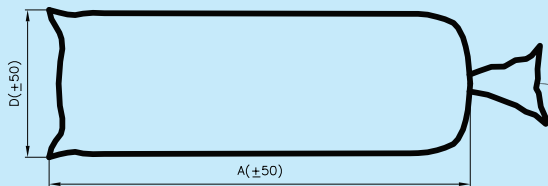
## SACRIFICIAL ANODE



*Magnesium Anode*



*Bare Anode*



*Packaged Anode*

## SACRIFICIAL MAGNESIUM ANODE

### Information

Magnesium Anodes are applied in high resistivity like soil, potable water etc. Standard Magnesium Anodes are available in variety of sizes and weight.

### High Potential Magnesium Anodes

FEATURES : Produces high driving voltage compared to other Galvanic Anode.

APPLICATIONS : At high resistivity or high current requirement. Buried Structures in soil of high resistivity such as pipe lines, Storage Tanks etc in soil.

### Standard Magnesium Anodes

FEATURES : Produces low driving voltage compared to high potential type.

APPLICATIONS : This type of Anode is useful when the current requirement of the system is less.

### Extruded Magnesium Anodes

FEATURES: Influences larger structure surface uniformly produces greater amount of current than Cast Anodes.

APPLICATIONS : Structures buried or submerged in comparatively high resistivity electrolytes.

### CHEMICAL COMPOSITION(%)

Product	Mg	Al	Zn	Mn	Si	Cu	Ni	Fe	Other Imp(max)	
					Max	Max	Max	Max	Each	Total
HM	Balance	0.01 max	-	0.5-1.3	0.05	0.002	0.001	0.03	0.05	0.3
SM	Balance	5.3-6.7	2.5 -3.5	0.15-0.7	0.10	0.002	0.002	0.003	-	0.3
EM	Balance	0.01 max	-	0.5-1.3	-	0.002	0.001	0.03	-	0.3

### ELECTRO CHEMICAL PROPERTIES

	Open-Circuit Volt (-v respect to Cu/CuSO <sub>4</sub> )	Closed-Circuit Volt (-v respect to Cu/CuSO <sub>4</sub> )	Actual capacity at 50% efficiency (Ahr/Kg)	Current Efficiency(%)
HM	1.7 - 1.77	1.59 - 1.63	1105 min	>50
SM	1.57 - 1.62	1.52 - 1.57	1115 min	>50
EM	1.7 - 1.77	1.59 - 1.63	1105 min	>50

### DIMENSIONAL & WEIGHT TABLE

#### HIGH POTENTIAL MAGNESIUM ANODE

Model No.	Weight (Kg)	Anode Dimensions				
		L mm (±25)	A mm (±50)	D mm (±50)	H mm (±10)	W mm (±10)
BTMG30H	1.4	114	165	152	76	76
BTMG50H	2.3	191	343	152	76	76
BTMG90H	4.1	545	700	150	75	60
BTMG170H	7.7	645	750	200	90	75
BTMG200H	9.1	1524	1588	127	51	51
BTMG320H	14.5	496	700	250	142	130
BTMG400H	18.1	1524	1626	152	76	76
BTMG480H	21.8	700	960	250	150	140
BTMG600H	27.2	1510	1750	250	115	115
BTMG1200H	55	1170	1400	330	170	145(T) 175(B)

#### EXTRUDED MAGNESIUM ANODE

Section (Inch)	3/8x3/4±0.015
Diameter of core (Inch)	0.135
Core eccentric	<1/16
Weight (lbs / feet)	0.243
Standard coil length (feet)	1000
Coil weight	110